

## Specification sheet LX1966

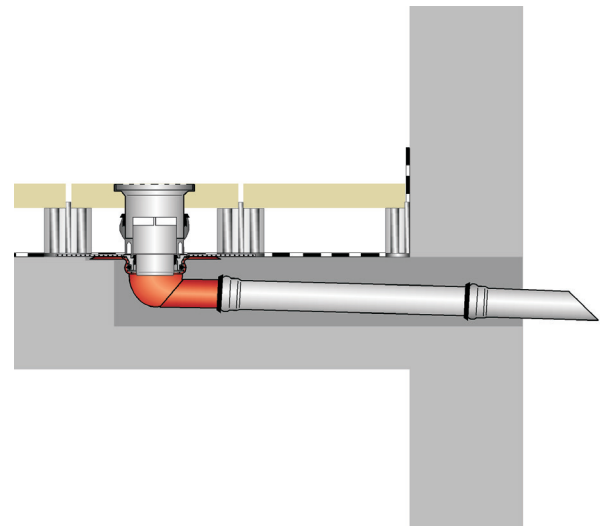
### Balcony drainage Emergency balcony drain, Series E+F

#### Emergency drainage

Gravity flow

Silent

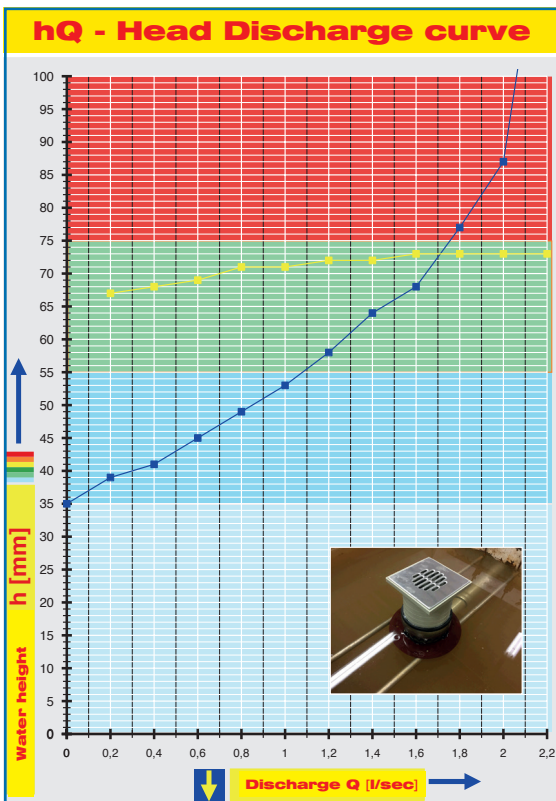
<b>Discharge rate:</b>	<b>1,77 l/sec</b>
<b>Water height:</b>	<b>75 mm</b>
<b>Roof penetration:</b>	<b>0 mm</b>
<b>Diameter:</b>	<b>DN 50</b>
<b>LX-Number:</b>	<b>LX1966</b>
<b>Weir height:</b>	<b>35</b>
<b>Drain:</b>	<b>ventilated</b>
<b>Downpipe:</b>	<b>ventilated</b>
<b>Downpipe height:</b>	<b>-</b>
<b>Drainage:</b>	<b>on floor</b>
<b>Flange form:</b>	<b>Connection sleeve</b>



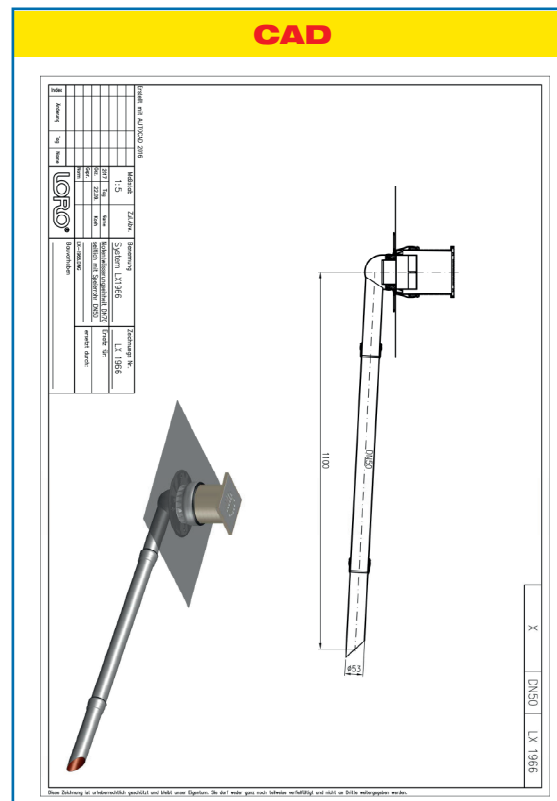
#### LX 1966 Piece list

- 1 x Art-No. 15400.050X, Balcony drain Series E+F
- 1 x Art-No. 15601.070X, Emergency unit
- 1 x Art-No. 01211.050X, LORO-X Pipe with one socket
- 1 x Art-No. 15199.050X, LORO-X Spout

- 2 x Art-No. 00911.050X, LORO-X Sealing elements
- 1 x Art-No. 00986.000X, LORO-X Lubricant



Systempower

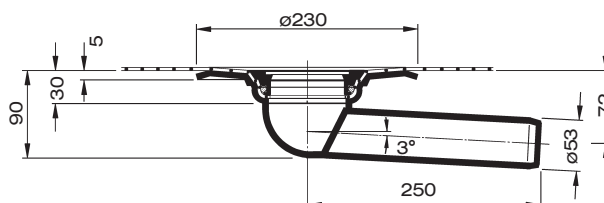
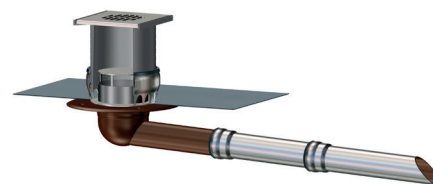


Systemshape

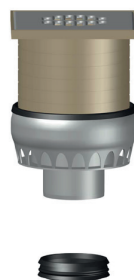
<b>Water height</b>	mm	15	20	25	30	35	40	45	50	55	60	65	70	75	80	85	90	95	100
<b>Discharge</b>	l/sec	-	-	-	-	-	0,30	0,6	0,85	1,04	1,26	1,45	1,64	1,77	1,83	1,88	2,01	2,02	2,04
<b>Silent</b>																			

**LORO-X Emergency balcony drain****DN 50****LX1966-12X**

Art.-No. 15400.050X  
Weight: 2,2 kg

**Balcony drain with connection sleeve****LORO-X Emergency unit for balcony drainage**

Art.-No. 15611.070X

**LORO-X Spout**

Art.-Nor. 15199.050X  
Weight: 0,6 kg



**Heat tracing:** Lorowerk recommends to check all drains and pipes with regard to their frost-sensibility. Where necessary, these parts should be upgraded with heat tracing.